

# Technical data sheet

Product features

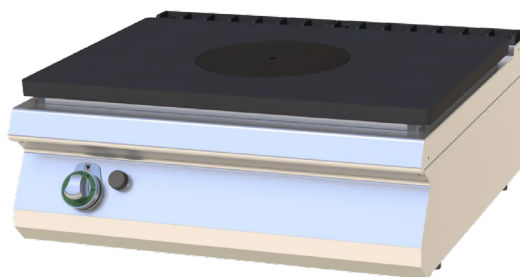


Gas -gas

Model

SAP Code

00020627



- Device type: Gas unit
- Power consumption of the zone 1 [kW]: 10,8
- Ignition: Piezo + Eternal Flame
- Material: AISI 304 top plate and cladding

SAP Code	00020627	Power gas [kW]	10.800
Net Width [mm]	800	Type of gas	Natural gas, propane butane
Net Depth [mm]	730	Number of zones	1
Net Height [mm]	300	Power consumption of the zone 1 [kW]	10,8
Net Weight [kg]	83.00	Solid top dimen- sions [mm x mm]	800 x 580

# Technical data sheet

Technical drawing

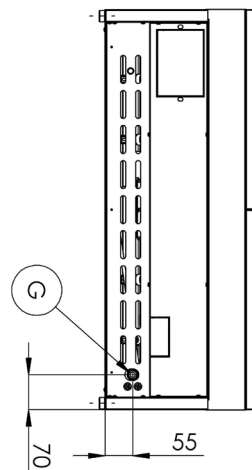
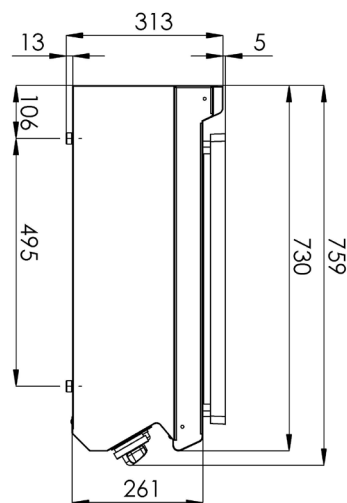
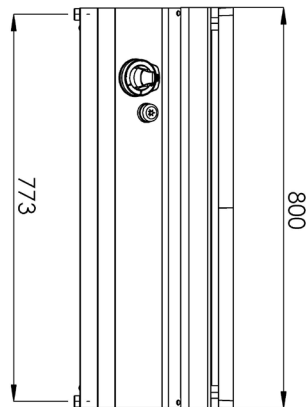


Gas -gas

Model

SAP Code

00020627



# Technical data sheet

Technical parameters



Gas -gas

Model

SAP Code

00020627

**1. SAP Code:**

00020627

**2. Net Width [mm]:**

800

**3. Net Depth [mm]:**

730

**4. Net Height [mm]:**

300

**5. Net Weight [kg]:**

83.00

**6. Gross Width [mm]:**

860

**7. Gross depth [mm]:**

820

**8. Gross Height [mm]:**

480

**9. Gross Weight [kg]:**

95.00

**10. Device type:**

Gas unit

**11. Construction type of device:**

Table top

**12. Power gas [kW]:**

10.800

**13. Ignition:**

Piezo + Eternal Flame

**14. Type of gas:**

Natural gas, propane butane

**15. Device color:**

Stainless steel

**16. Material:**

AISI 304 top plate and cladding

**17. Worktop type:**

Molded - comfortable cleaning maintenance

**18. Worktop material:**

AISI 304

**19. Worktop Thickness [mm]:**

1.50

**20. Number of zones:**

1

**21. Power consumption of the zone 1 [kW]:**

10,8

**22. Service accessibility:**

Trough the frontal panel

**23. Safety thermocouple:**

Yes

**24. Number of burners/hot plates:**

1

**25. Type of gas cooking zones:**

Thales

**26. Oven power gas [kW]:**

10.80

**27. Solid top thickness [mm]:**

30

**28. Solid top dimensions [mm x mm]:**

800 x 580

# Technical data sheet

Technical parameters



Gas -gas

Model

SAP Code

00020627

## 29. Solid top ignition:

Piezo + Eternal Flame